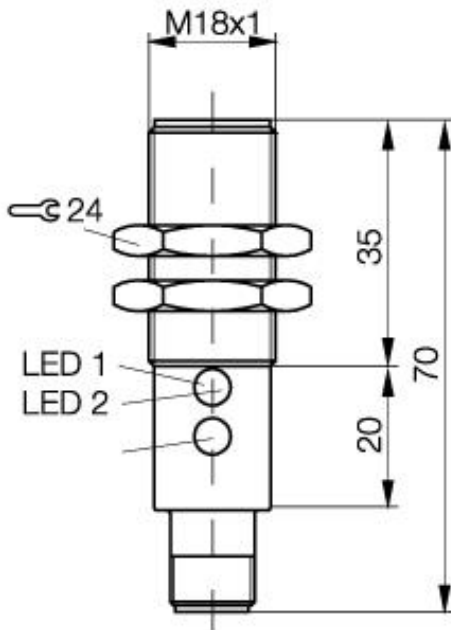


Photoelectric Sensor
BOS 18M-PU-1PD-S 4-C
Sn=400mm
Diffuse



PX1400

Common Data

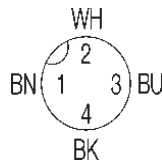
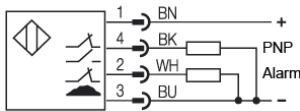
Series	18M
Sensortype	Diffuse
Switching frequency	500 Hz
Rated operating distance Sn in mm	400
asured operating distance Sa	adjustable
Repeat accuracy	< 5% from Sn
Hysteresis	1...25%
Indication Supply Voltage	no
Indication Switching element on	yes
Indication Special funktion	Adjustment help
Ambient temperature	-15...+55°C
On-delay	≤1ms
Off-delay	< 5ms
Light	Infrared
Sensitivity Adjustment	Teach in
Diameter of active zone	-
Permissable ambient light	5000 Lux
Output function	light-on or dark-on

Mechanical Data

Measurements	M18x70
Shock	Halfsinus, 30gn, 11ms
Vibration	55Hz, 1,5mm Amplitude 3x20 M
Housing material	nickel plated brass
Material of sensing face	PMMA
Degree of protection	IP67
Connection	Connector S4 (M12)
Weigth	65g
Recommended connector	BKS-S20-3

Electrical Data

Current	DC
Switching function	switchable
Output	PNP
Rated operational voltage Ue	24V DC
Rated operational current Ie	200mA
Supply Voltage	10...30V DC
Ripple	< 10% from UB
Frequency of Supply Voltage	DC
No-load supply current	<25mA
Voltage drop	<2,5V
Short protection	yes
Protected against polarity reversal	yes
Rated insulation voltage	75V DC
Output resistance	33kOhm
max. Load capacity	≤0,5µF



Utilization categories
 Insulation class

DC 13

Datasheet number:

Definitions see general catalog.
 If not otherwise noted, ratings according to
 IEC 60947-5-2 (DIN EN60947-5-2)

Balluff GmbH
 Schurwaldstrasse 9
 73765 Neuhausen a.d.F.
 Phone (07158) 173-0 Fax (07158) 5010

Datenblatt by CD-ROM - 04/2007

